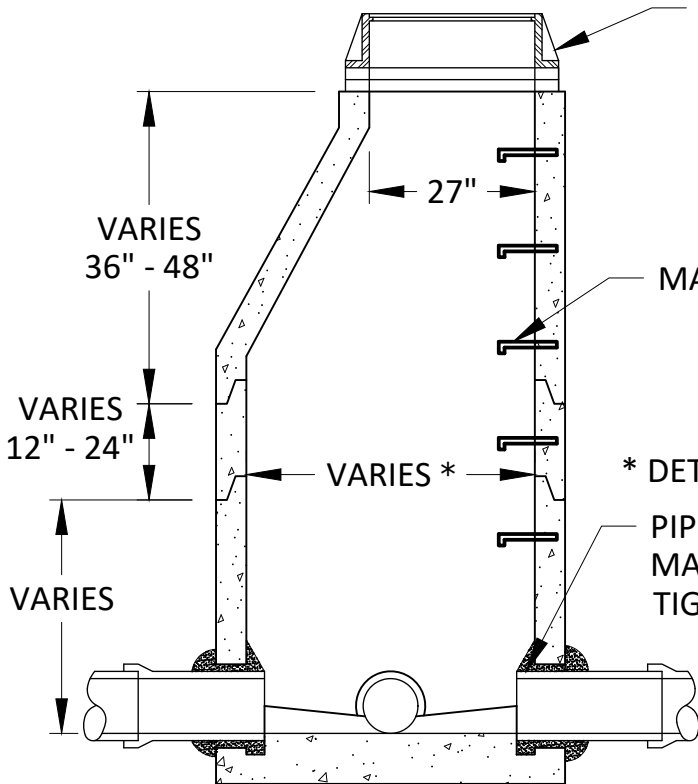


PRECAST INVERT MUST BE 1/2 DIAMETER OF THE PIPE AND BENCHES SLOPED 2" TOWARD THE INVERT.

MANHOLE STEPS SHALL BE PLACED SO THAT OFFSET VERTICAL PORTION OF CONE IS FACING DOWNSTREAM.

PLAN



CASTING AND ADJUSTMENT RINGS AS SPECIFIED. PER DETAIL PLATE STR-23.

MANHOLE STEPS 16" MAX ON CENTER.

* DETERMINED BY PIPE SIZE

PIPE SHALL BE CUT TO BE 2"-4" INSIDE MANHOLE WALL AND HAVE A WATER TIGHT SEAL. SEE SPECIFICATION.

ALL DOG HOUSES SHALL BE MORTARED ON INSIDE AND OUTSIDE.

SECTION



STANDARD DETAILS
 SANITARY SEWER
 JUNCTION MANHOLE
 COTTAGE GROVE, MINNESOTA

JANUARY 2021

PLATE NO.
 SAN-2