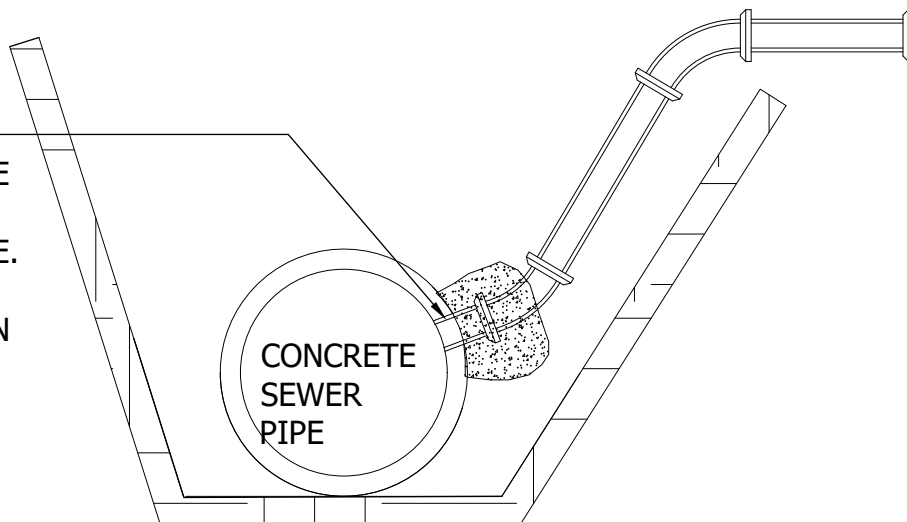
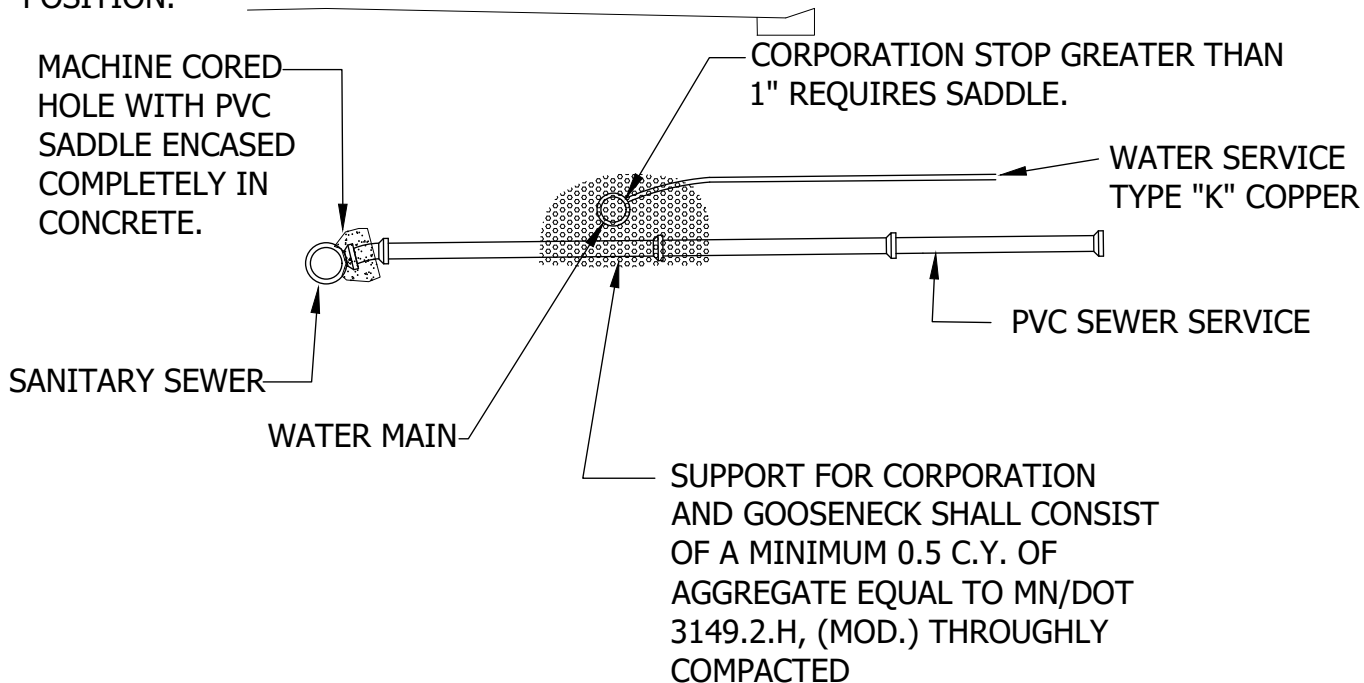


MACHINE CORED HOLE WITH CAST IRON SADDLE WITH STAINLESS STEEL BANDS AROUND THE PIPE. THE SADDLE TO BE COMPLETELY ENCASED IN CONCRETE.



CONCRETE SANITARY OR STORM SEWER

NOTE: SERVICE CONNECTIONS TO BE AT 2 O'CLOCK OR 10 O'CLOCK POSITION.



WATER AND PVC SANITARY SEWER



STANDARD DETAILS
 PRIVATE CONNECTIONS TO
 PUBLIC UTILITIES
COTTAGE GROVE, MINNESOTA

JANUARY 2021

PLATE NO.
SER-2