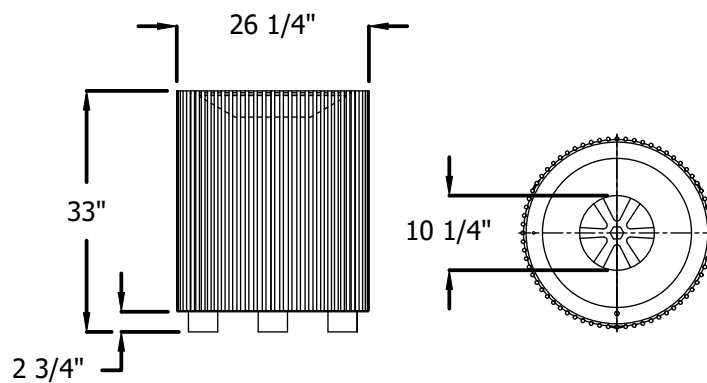


4" CLASS 5 AGGREGATE BASE (VIRGIN)
6" CONCRETE MIX NO. 3F52A



Description	Pattern	Weight	Concrete
32-Gallon Flat Top Lid	Rod (O)	177 lb.	3.5' x 3.5'



STANDARD DETAILS

TRASH CAN

COTTAGE GROVE, MINNESOTA

JANUARY 2021

PLATE NO.
SPECIAL-3