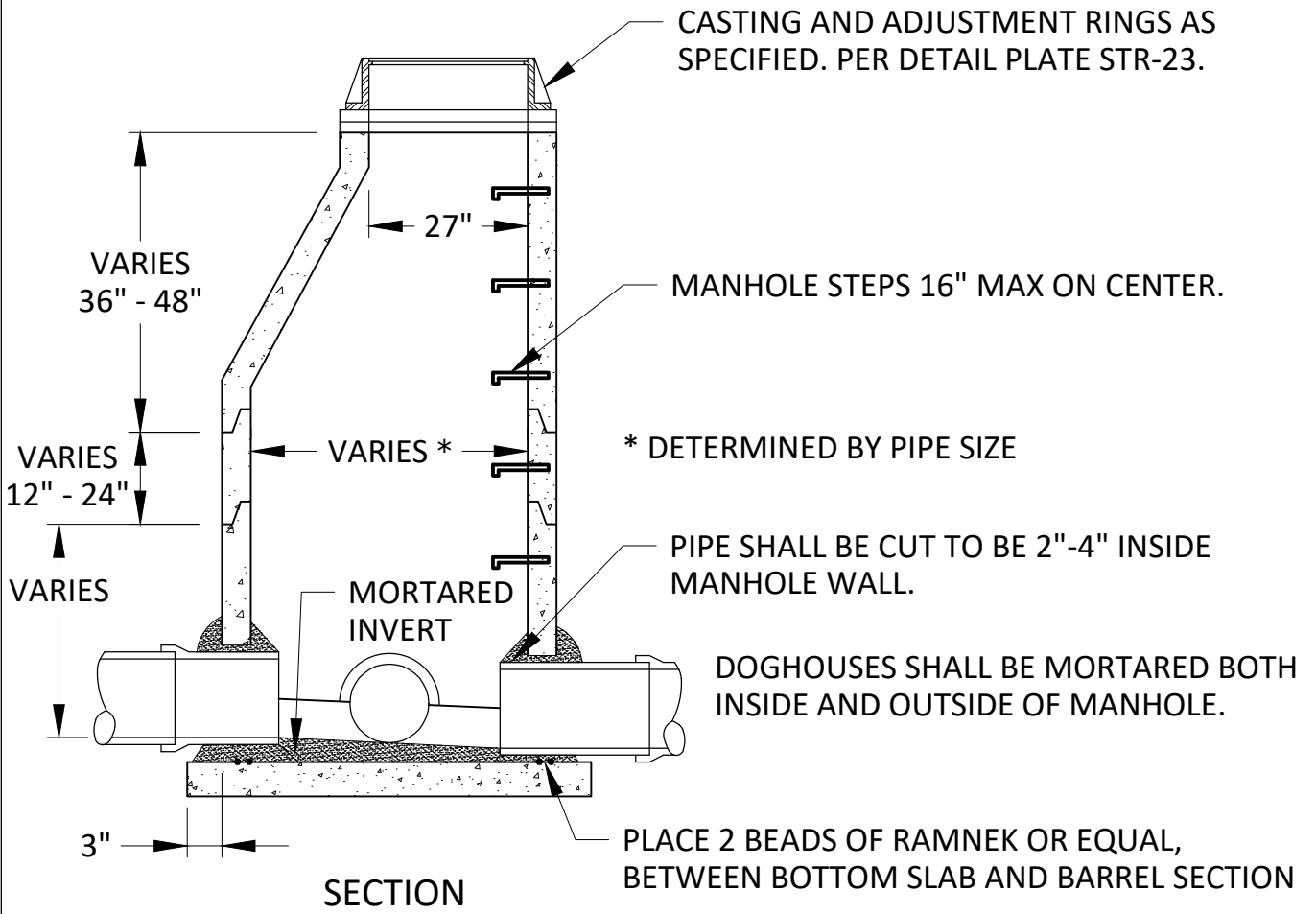


MORTAR BOTTOM OF MANHOLE TO 1/2 DIAMETER AT PIPE AND SLOPE MORTAR 2" TOWARD INVERT.

MANHOLE STEPS SHALL BE PLACED SO THAT OFFSET VERTICAL PORTION OF CONE IS FACING DOWNSTREAM.

PLAN



CASTING AND ADJUSTMENT RINGS AS SPECIFIED. PER DETAIL PLATE STR-23.

MANHOLE STEPS 16" MAX ON CENTER.

* DETERMINED BY PIPE SIZE

PIPE SHALL BE CUT TO BE 2"-4" INSIDE MANHOLE WALL.

DOGHOUSES SHALL BE MORTARED BOTH INSIDE AND OUTSIDE OF MANHOLE.

PLACE 2 BEADS OF RAMNEK OR EQUAL, BETWEEN BOTTOM SLAB AND BARREL SECTION

SECTION



STANDARD DETAILS
STORM SEWER
JUNCTION MANHOLE
COTTAGE GROVE, MINNESOTA

JANUARY 2021

PLATE NO.
STO-2