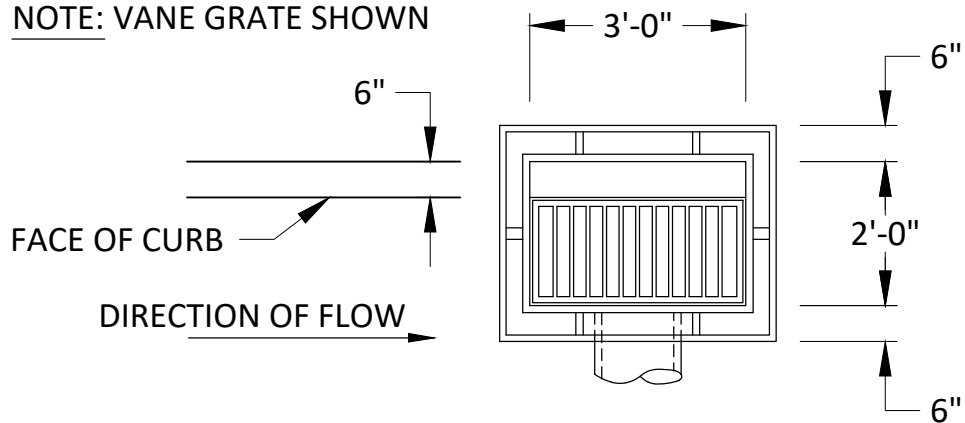


NOTE: VANE GRATE SHOWN

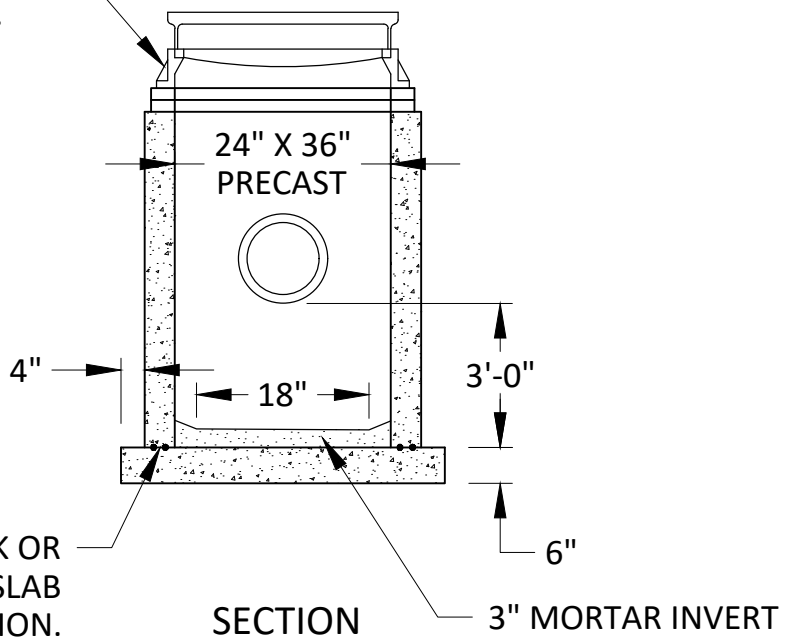


PLAN

CASTING AND ADJUSTMENT RINGS AS SPECIFIED. PER DETAIL PLATE STR-23.

DOGHOUSES SHALL BE MORTARED ON BOTH THE INSIDE AND OUTSIDE.

PLACE 2 BEADS OF RAMNEK OR EQUAL BETWEEN BOTTOM SLAB AND BARREL SECTION.



SECTION



STANDARD DETAILS  
CATCH BASIN WITH SUMP

COTTAGE GROVE, MINNESOTA

JANUARY 2021

PLATE NO.  
STO-8