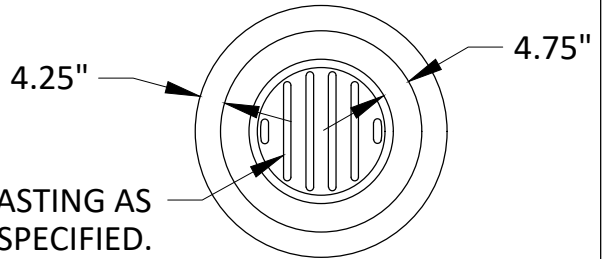


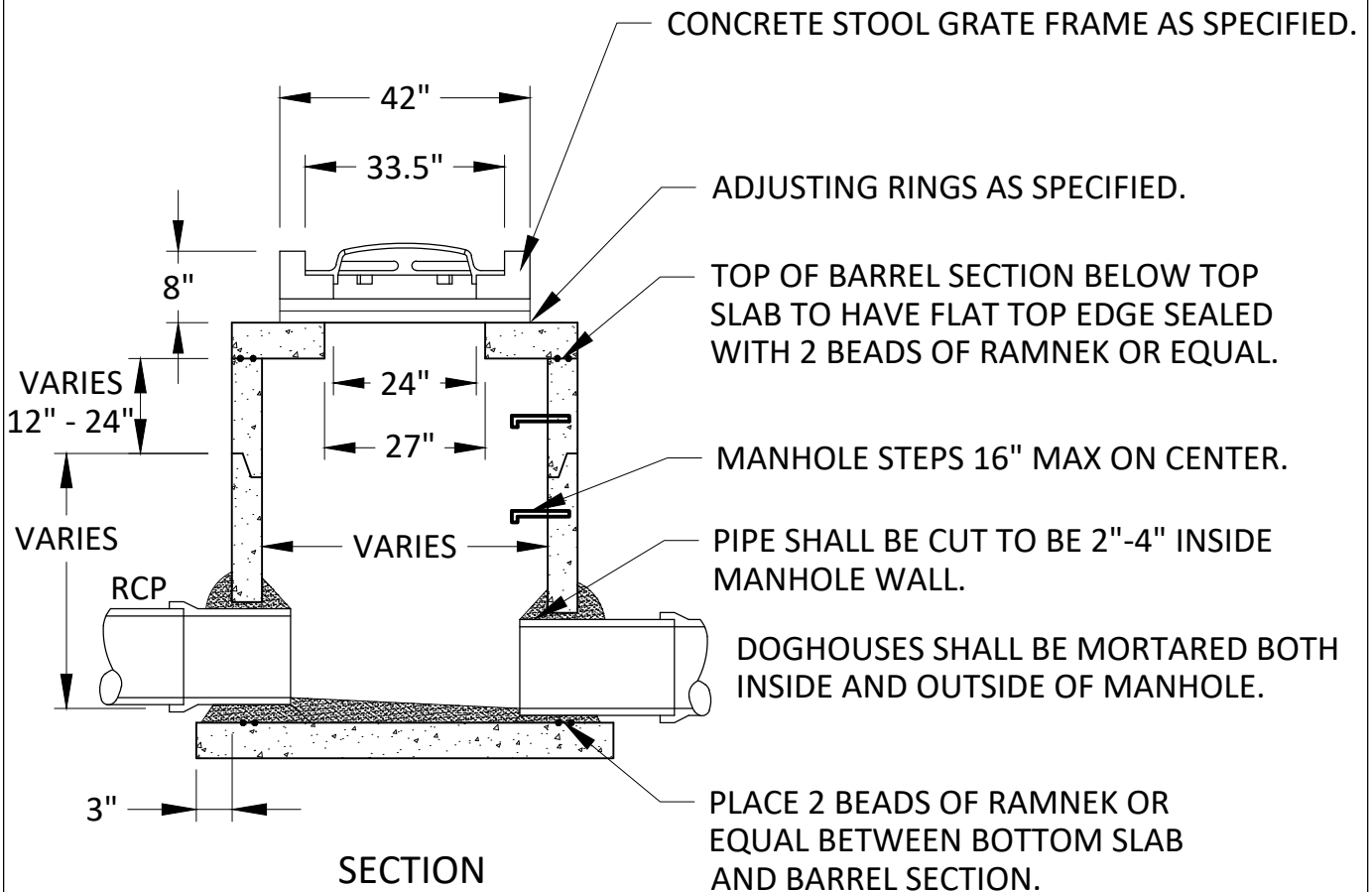
MORTAR BOTTOM OF MANHOLE TO 1/2 DIAMETER AT PIPE AND SLOPE MORTAR 2" TOWARD INVERT.

PLAN



CASTING AS SPECIFIED.

TOP VIEW - GRATE FRAME



CONCRETE STOOL GRATE FRAME AS SPECIFIED.

ADJUSTING RINGS AS SPECIFIED.

TOP OF BARREL SECTION BELOW TOP SLAB TO HAVE FLAT TOP EDGE SEALED WITH 2 BEADS OF RAMNEK OR EQUAL.

MANHOLE STEPS 16" MAX ON CENTER.

PIPE SHALL BE CUT TO BE 2"-4" INSIDE MANHOLE WALL.

DOGHOUSES SHALL BE MORTARED BOTH INSIDE AND OUTSIDE OF MANHOLE.

PLACE 2 BEADS OF RAMNEK OR EQUAL BETWEEN BOTTOM SLAB AND BARREL SECTION.

SECTION



**STANDARD DETAILS**  
**OFF STREET CATCH BASIN**  
**WITH CONCRETE STOOL GRATE FRAME**  
**COTTAGE GROVE, MINNESOTA**

JANUARY 2021

PLATE NO.  
**STO-9**