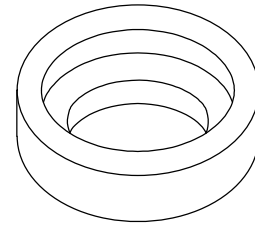
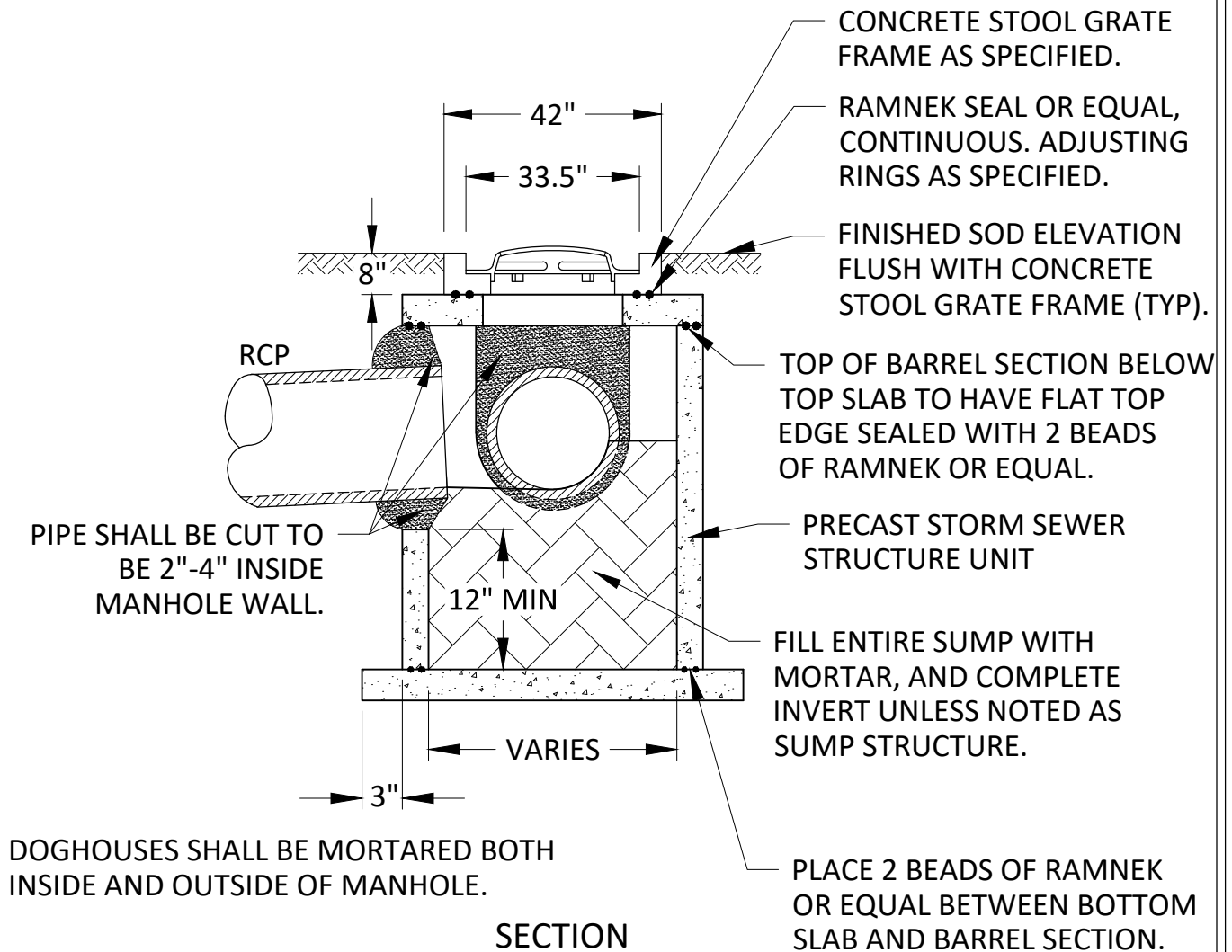


TOP VIEW - GRATE FRAME



ISOMETRIC



SECTION

DOGHOUSES SHALL BE MORTARED BOTH INSIDE AND OUTSIDE OF MANHOLE.



STANDARD DETAILS
 SHALLOW OFF STREET CATCH BASIN
 WITH CONCRETE STOOL GRATE FRAME
 COTTAGE GROVE, MINNESOTA

JANUARY 2021

PLATE NO.
 STO-10