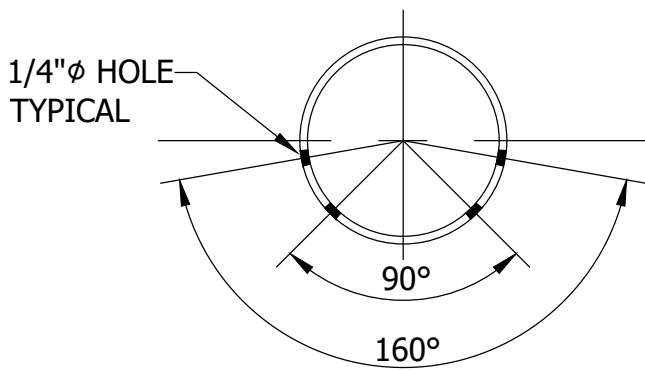


TRENCH DETAIL



PIPE DETAIL



STANDARD DETAILS
PVC PERFORATED PIPE

COTTAGE GROVE, MINNESOTA

JANUARY 2021

PLATE NO.
STO-14