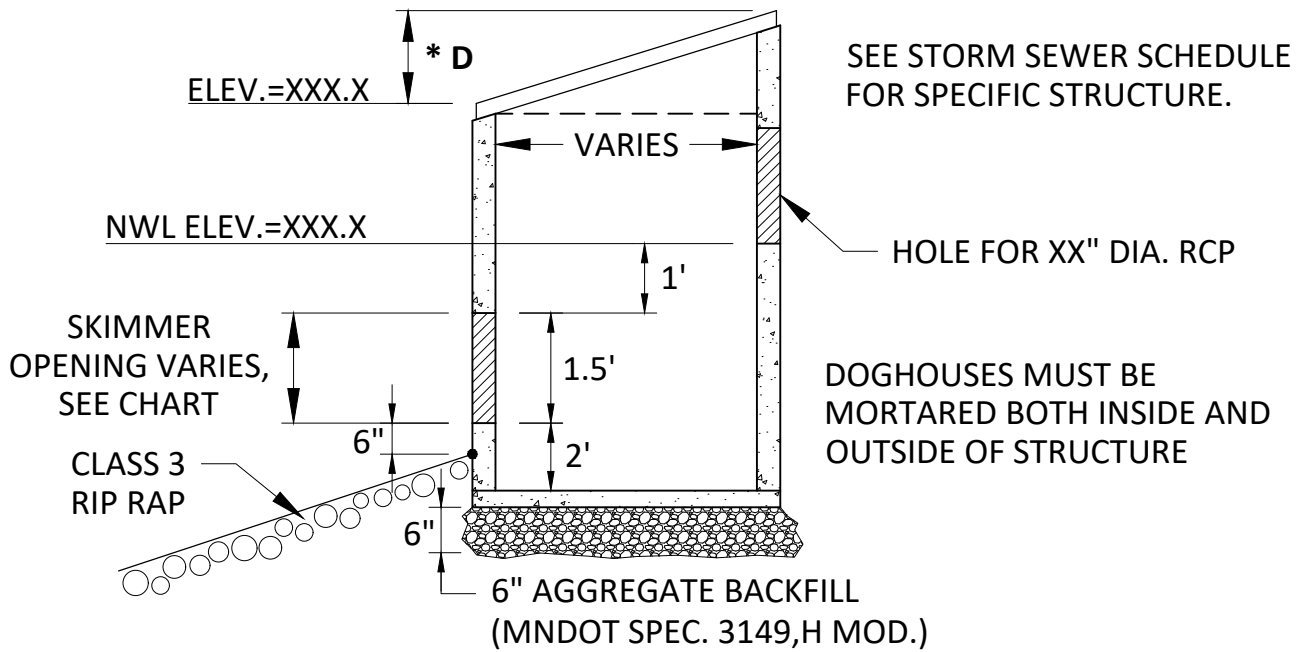


GRATE DETAIL

MANHOLE DIAMETER	SKIMMER OPENING
4'	3'x1.5'
5'	4.5'x1.5'
6'	6'x1.5'

DIAMETER	* D (TOP OF STRUCTURE SLOPE)
48" DIA	9" OR 18"
>48" DIA	12" OR 24"



SECTION



STANDARD DETAILS
STANDARD SKIMMER STRUCTURE
COTTAGE GROVE, MINNESOTA

JANUARY 2021

PLATE NO.
STO-16