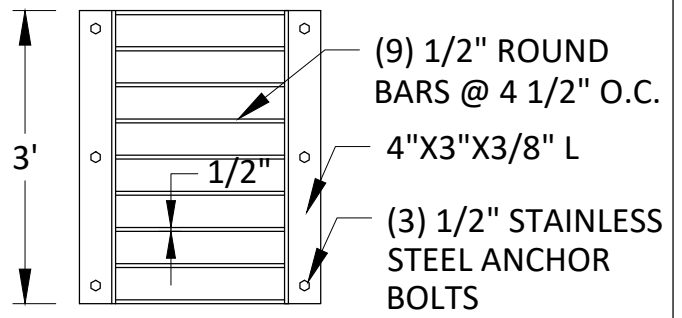
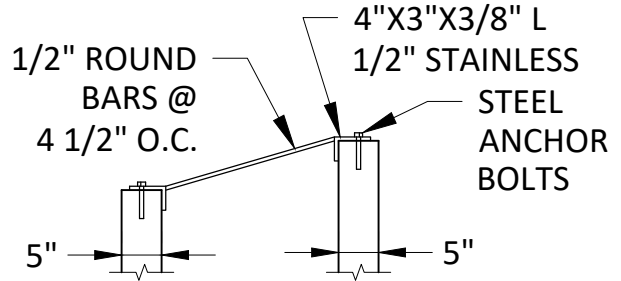


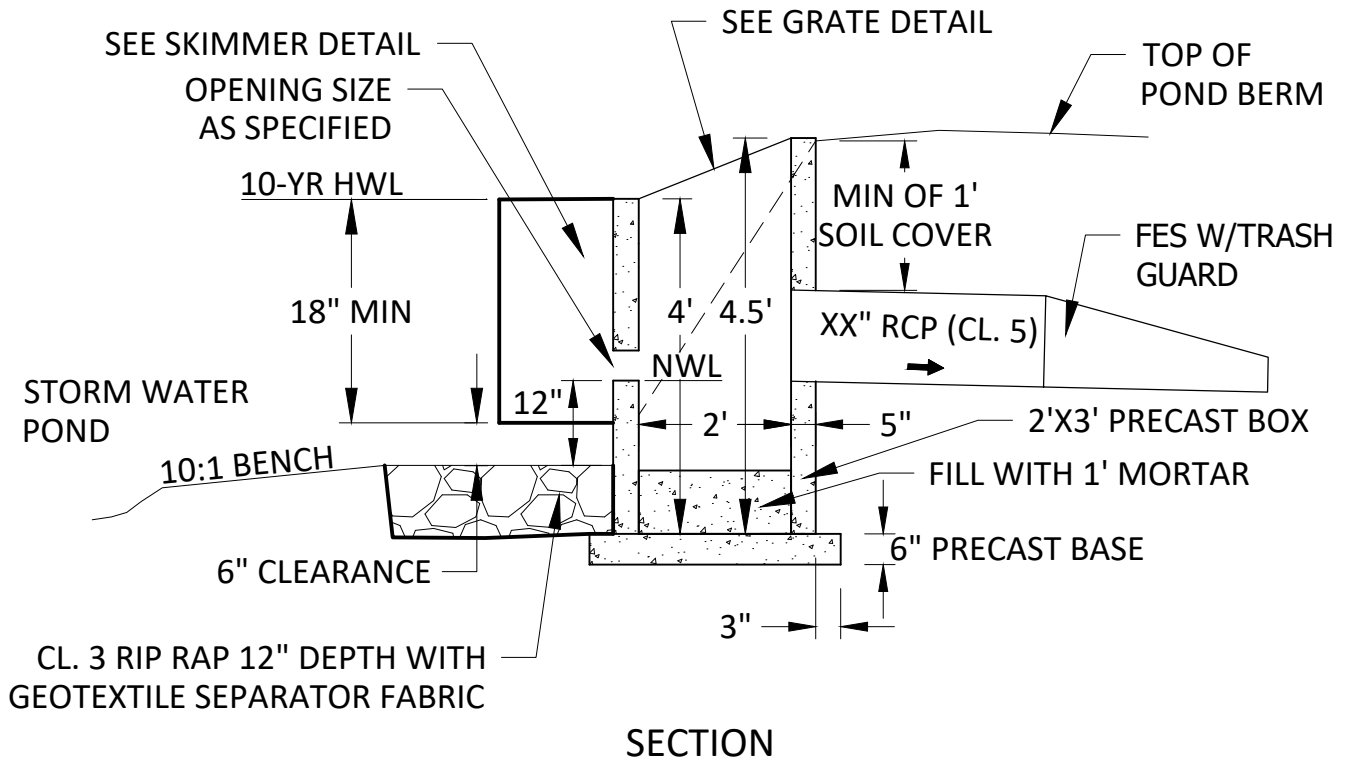
SKIMMER DETAIL



PLAN



GRATE DETAIL



SECTION



STANDARD DETAILS
POND OUTLET SKIMMER STRUCTURE
COTTAGE GROVE, MINNESOTA

JANUARY 2021

PLATE NO.
STO-17