

PROVIDE 4 - 1/2" SS ANCHOR BOLTS

FLAT STEEL BATS @ 4" O.C.
NO PERPENDICULAR SUPPORT BARS
ALLOWED FOR STRUCTURES LESS THAN
84" DIA.

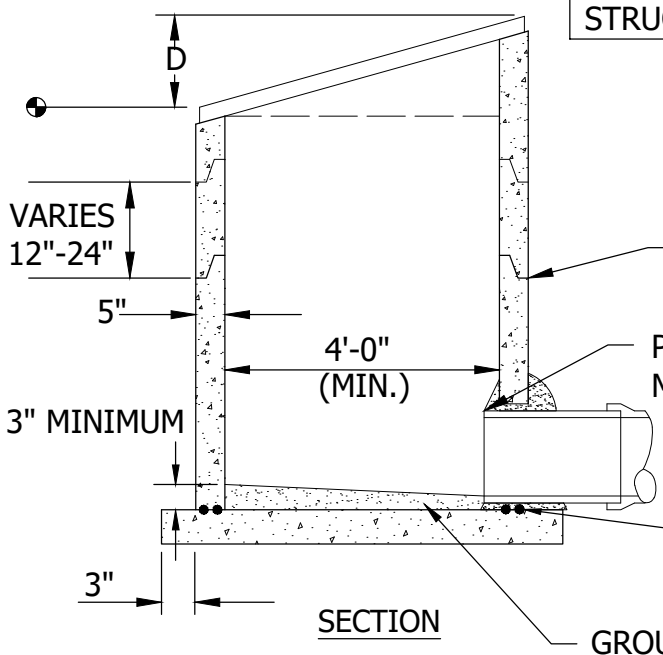
HOT-DIPPED GALVANIZED GRATE IN 2
SECTIONS WITH HEAVY DUTY HINGES
ABLE TO SUPPORT 250 LBS/SF AND BE
ABLE TO REMOVE ONE SECTION FOR
ACCESS TO STEPS BY REMOVING NUTS
FROM TWO ANCHOR BOLTS. SUBMIT
SHOP DRAWINGS TO ENGINEER FOR
REVIEW PRIOR TO FABRICATION.

MANHOLE STEPS SHALL BE PLACED SO THAT
LOCATION IS PERPENDICULAR TO THE BARS.
MANHOLE STEPS, NEENAH R1981J OR EQUAL,
16" ON CENTER. ALUMINUM STEPS APPROVED.

GRATE DETAIL

<u>DIAMETER</u>	<u>TOP OF STRUCTURE SLOPE (D)</u>
48" DIA.	9" OR 18"
>48" DIA.	12" OR 24"

SEE STORM SEWER SCHEDULE FOR SPECIFIC
STRUCTURE.



NO BLOCK STRUCTURES ARE ALLOWED.

ALL JOINTS IN MANHOLE TO
HAVE RUBBER GASKETS.

PIPE SHALL BE CUT TO BE 2"-4" INSIDE
MANHOLE WALL.

DOGHOUSES MUST BE MORTARED
BOTH INSIDE AND OUTSIDE.

PLACE 2 BEADS OF RAMNEK OR
EQUAL, BETWEEN BOTTOM
SLAB AND BARREL SECTION.

SECTION



STANDARD DETAILS
STANDARD OVERFLOW STRUCTURE
COTTAGE GROVE, MINNESOTA

JANUARY 2021

PLATE NO.
STO-18