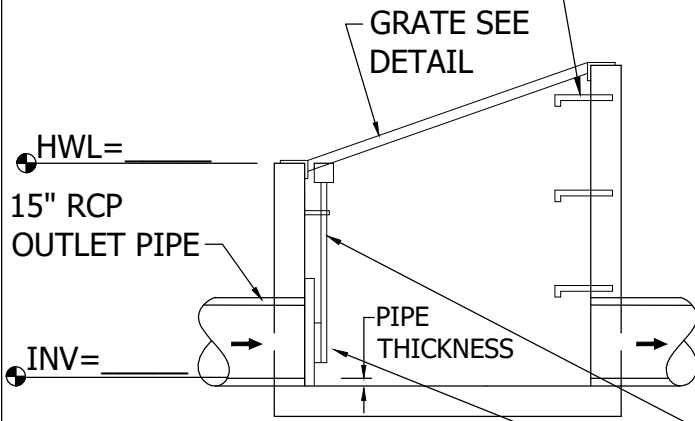
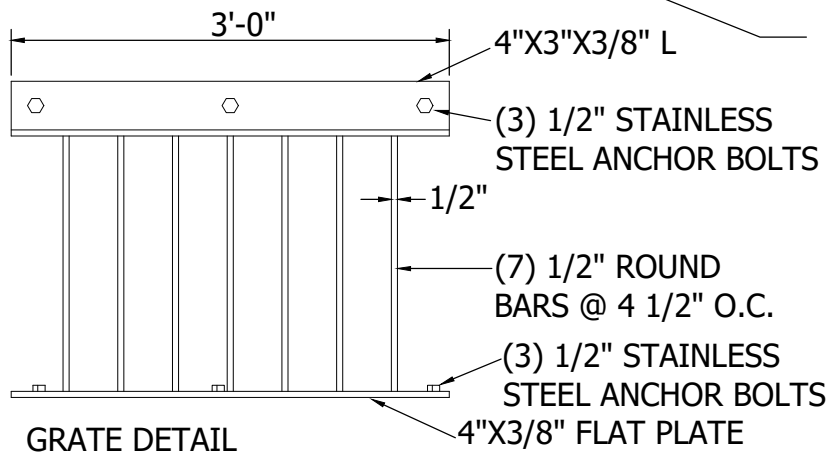


TOP VIEW

MANHOLE STEPS, NEENAH R1981J OR EQUAL, 16" ON CENTER.
ALUMINUM STEPS APPROVED



SIDE VIEW



GRATE DETAIL

1/2" ROUND BARS @ 4 1/2" O.C.
4"X3"X3/8" L

1/2" STAINLESS STEEL ANCHOR BOLTS

OUTLET STRUCTURE NOTES:

1. OUTLET STRUCTURE SHALL BE REINFORCED PRECAST CONCRETE.
2. GRATING SHALL BE HOT DIPPED GALVANIZED AFTER FABRICATION.
3. ALL ANCHOR BOLTS SHALL BE 1/2"φ S.S. EXP. ANCHORS W/ 4" MIN. EMBEDMENT.
4. MAXIMUM SIZE OUTLET PIPE TO BE 15".
5. FOR STRUCTURES CAST IN 2 SECTIONS, MASTIC SHALL BE USED TO PROVIDE A WATERTIGHT SEAL AND SECTIONS SHALL BE SECURED USING WELD PLATES.
6. GRATE MAY BE VARIED WITH APPROVAL FROM ENGINEER
7. ENGINEER TO REVIEW SHOP DRAWINGS BEFORE CONSTRUCTION

SLUICE GATE OPERATING NUT & ROD SECURE TO WALL W/MOUNTING BRACKET

SLUICE GATE W/ SPECIFIED ORIFICE

- 12" OPENING N.R. STEM
- 2" SQUARE OPERATING NUT
- 4 1/2" ORIFICE AS SPECIFIED



STANDARD DETAILS
OVERFLOW STRUCTURE WITH
SLUICE GATE WITH ORIFICE
COTTAGE GROVE, MINNESOTA

JANUARY 2021

PLATE NO.
STO-20