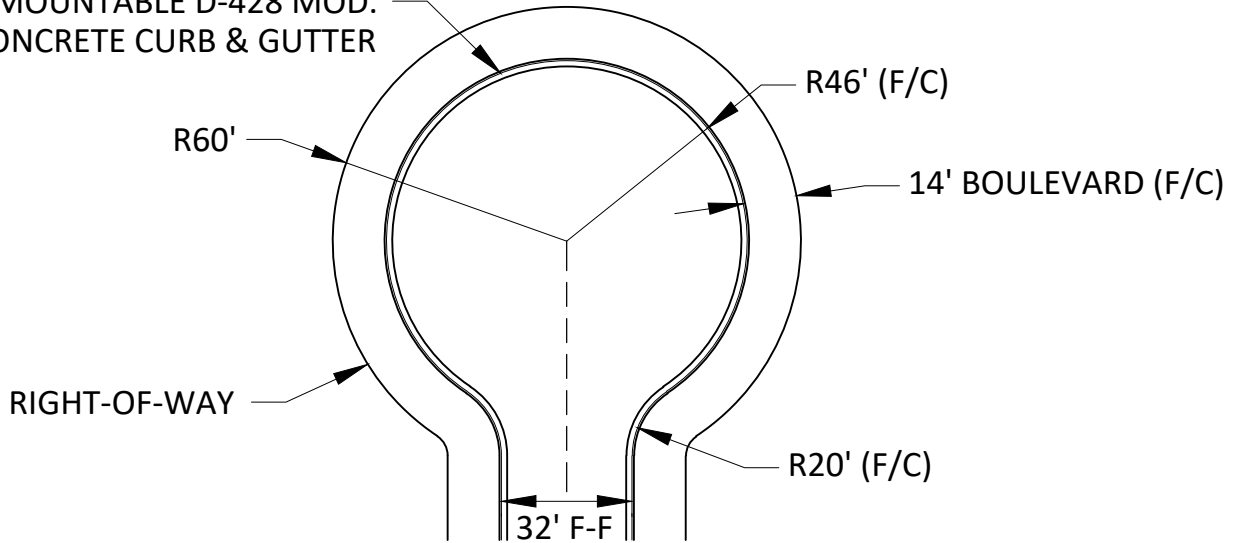
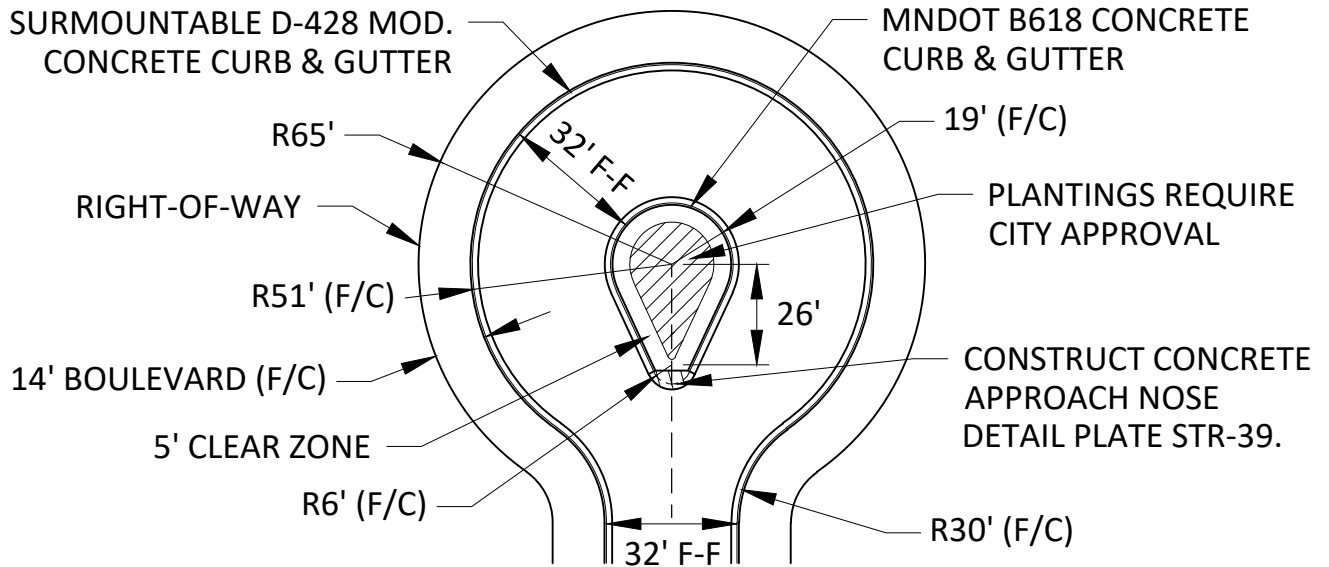


SURMOUNTABLE D-428 MOD.
CONCRETE CURB & GUTTER



STANDARD CUL-DE-SAC

SURMOUNTABLE D-428 MOD.
CONCRETE CURB & GUTTER



NOTE:
CURB AND GUTTER TO BE B618 (GUTTER OUT).

ISLAND CUL-DE-SAC



STANDARD DETAILS
 TYPICAL CUL-DE-SAC SECTIONS
 RESIDENTIAL (32' F-F)
 COTTAGE GROVE, MINNESOTA

JANUARY 2021

PLATE NO.
STR-5