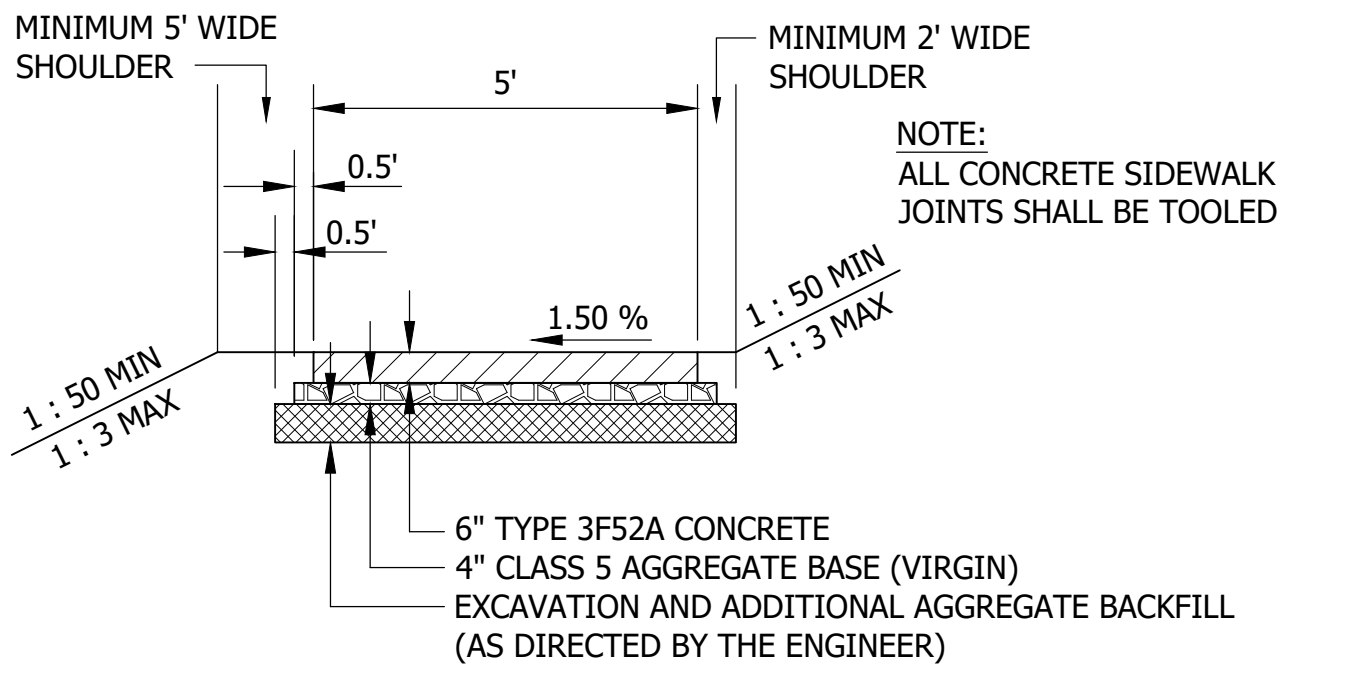


BITUMINOUS TRAIL



NOTE:
ALL CONCRETE SIDEWALK JOINTS SHALL BE TOOLED

CONCRETE SIDEWALK



STANDARD DETAILS
TYPICAL BITUMINOUS TRAIL AND
CONCRETE SIDEWALK SECTIONS
COTTAGE GROVE, MINNESOTA

JANUARY 2021

PLATE NO.
STR-9