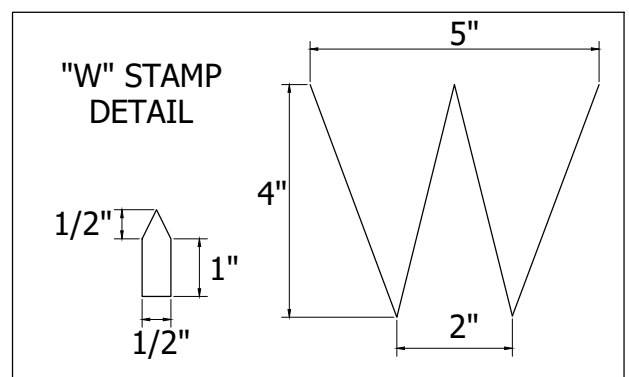
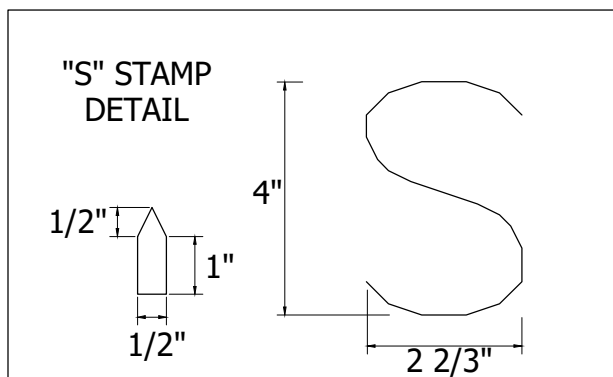
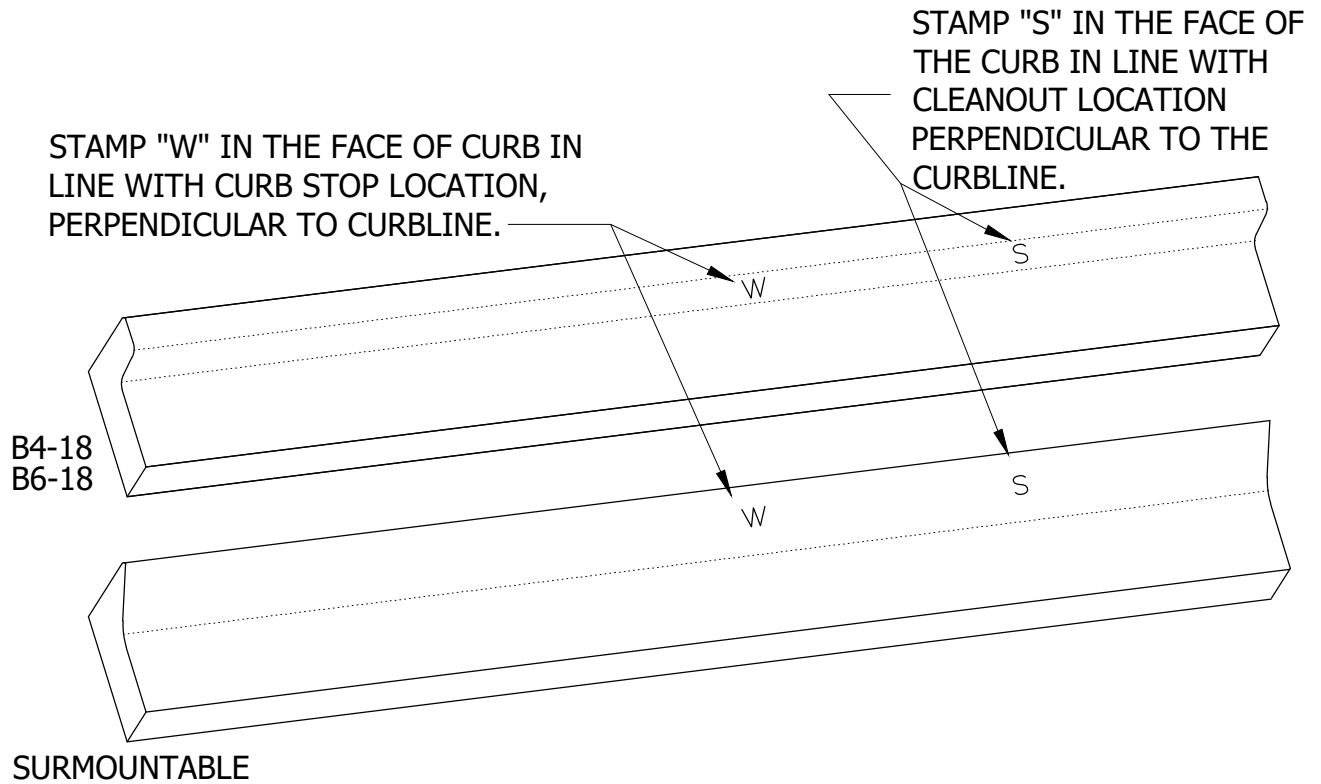


NOTES:

1. ALL NEW AND EXISTING WATER AND SEWER SERVICE LOCATIONS SHALL BE MARKED IN CURB AS SHOWN. STAMPING OF SERVICE LOCATIONS SHALL BE CONSIDERED INCIDENTAL TO THE PRICE OF CURB.
2. CONCRETE CURB PANELS WITH W'S AND S'S NOT PLACED BY SPECIFIED STAMP WILL NOT BE ACCEPTED.



STANDARD DETAILS
WATER AND SEWER SERVICE
LOCATION STAMP IN CURB
COTTAGE GROVE, MINNESOTA

JANUARY 2021

PLATE NO.
STR-11