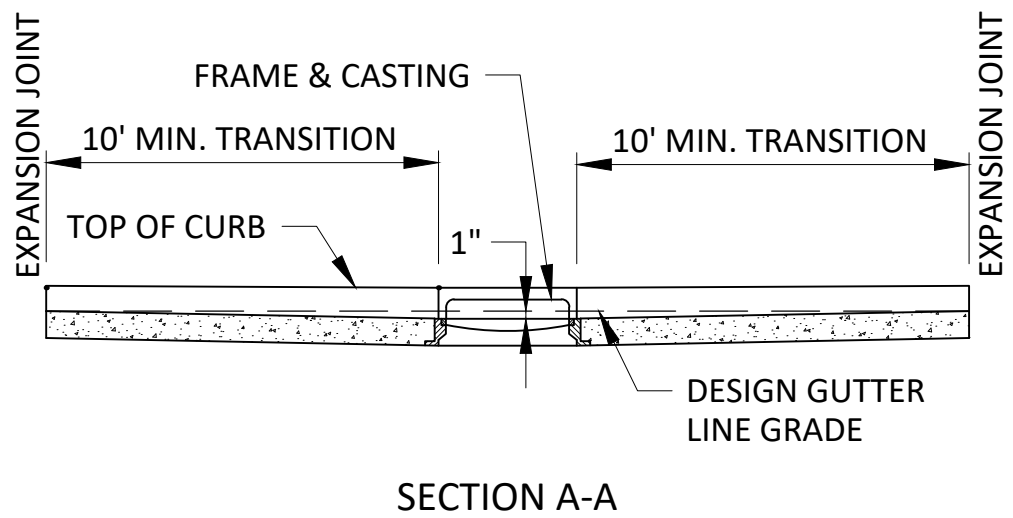


- NOTES:
1. CATCHBASIN TO BE DEPRESSED 1" BELOW DESIGN GUTTER LINE GRADE
  2. 4" MAXIMUM CURB INLET OPENING



**STANDARD DETAILS**  
**B618 CURB AND GUTTER**  
**CONSTRUCTION AT CATCHBASIN**  
**COTTAGE GROVE, MINNESOTA**

JANUARY 2021

PLATE NO.  
STR-14