

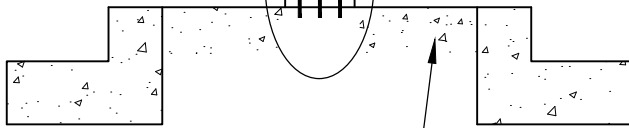
SIGN PANELS AS SPECIFIED OR AS SHOWN ON THE PLANS OR SIGN LEGEND.

STREET SIGNS

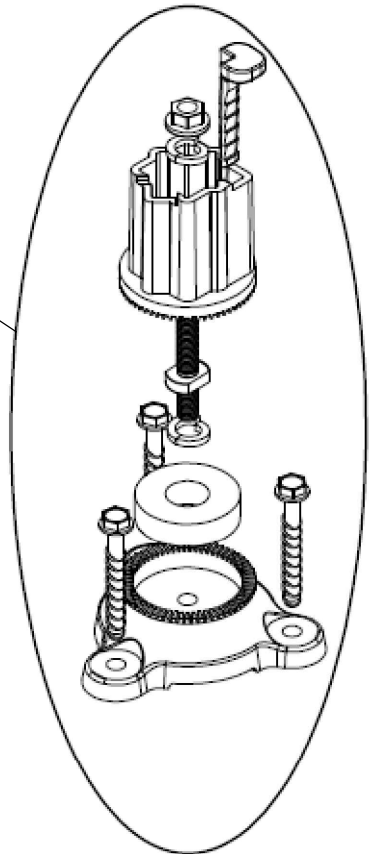
2" x 2" x 12 ga. TELES PAR GALVANIZED SIGN POST

1 3/4" x 3' x 12 ga. INTERIOR SLEEVE

SURFACE MOUNT ANCHOR BASE



CONCRETE



STANDARD DETAILS

TYPICAL TRAFFIC SIGN
INSTALLATION MEDIAN

COTTAGE GROVE, MINNESOTA

JANUARY 2021

PLATE NO.
STR-36