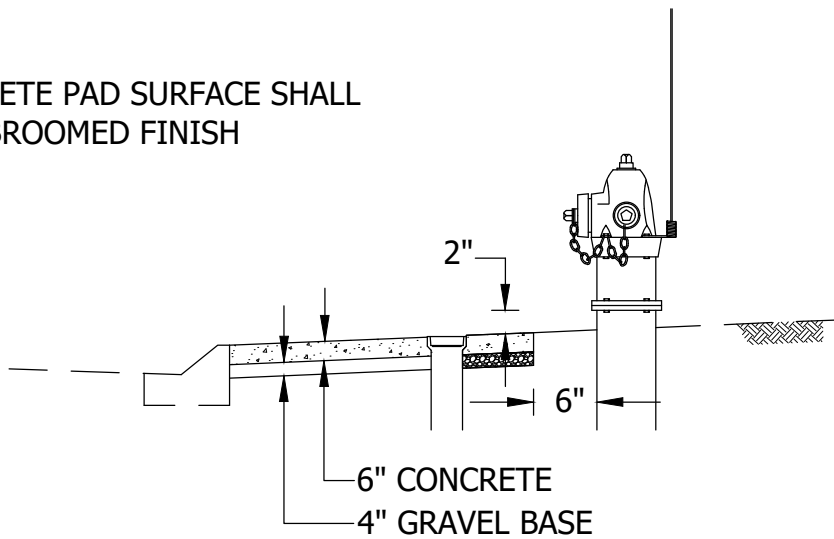


NOTE:
 CONCRETE PAD SURFACE SHALL
 HAVE BROOMED FINISH



STANDARD DETAILS
 CONCRETE HYDRANT PAD
 COTTAGE GROVE, MINNESOTA

JANUARY 2021

PLATE NO.
STR-37