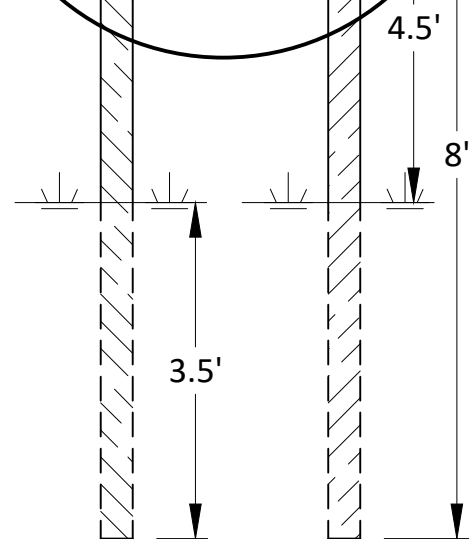
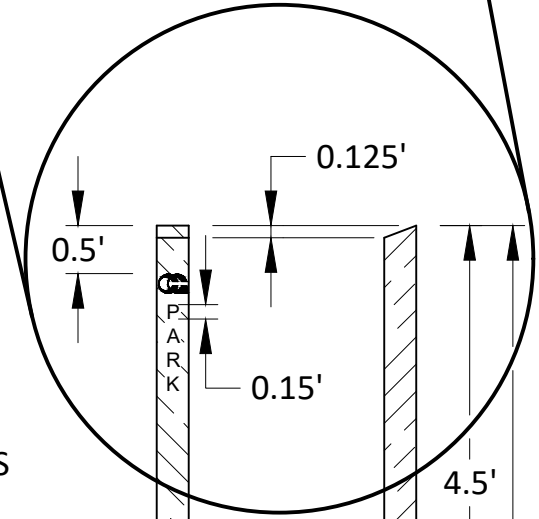
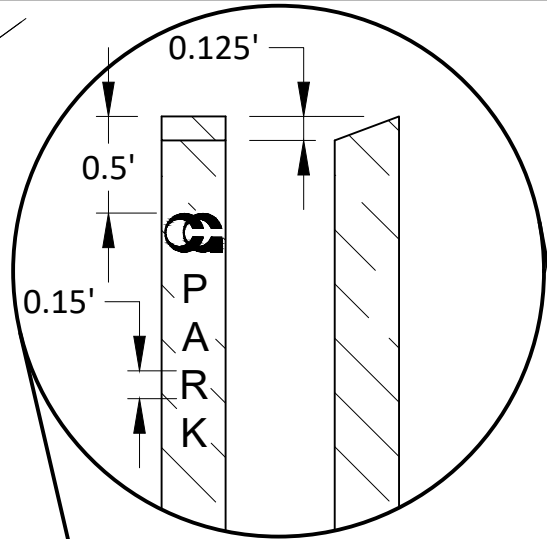


LOCATION OF MONUMENT -
 MAXIMUM 1'-2' FROM
 PROPERTY CORNER (TYP)



FRONT

SIDE

SPECIFICATIONS:

1. LETTERING

- TYPICAL LETTERING: "PARK" OR "OPEN SPACE" AS INDICATED ON PLAN
- LETTERING ENGRAVED INTO POST, 1/4" DEPTH
- LETTERS TO BE ARIAL FONT, WHITE, 0.15' TALL, 0.10' SPACING BETWEEN LETTERS, 0.30' SPACING BETWEEN LOGO AND LETTERING
- START 0.5' FROM TOP OF POST

2. POST MATERIALS

- 4"x4" SQUARE COMPOSITE POST WITH ROUNDED EDGES AND CORNERS
- FOREST GREEN

3. POST INSTALLATION

- PLACED WITH LETTERING FACING PRIVATE PROPERTY



STANDARD DETAILS
 CITY MONUMENT POST

COTTAGE GROVE, MINNESOTA

JANUARY 2021

PLATE NO.
 STR-40