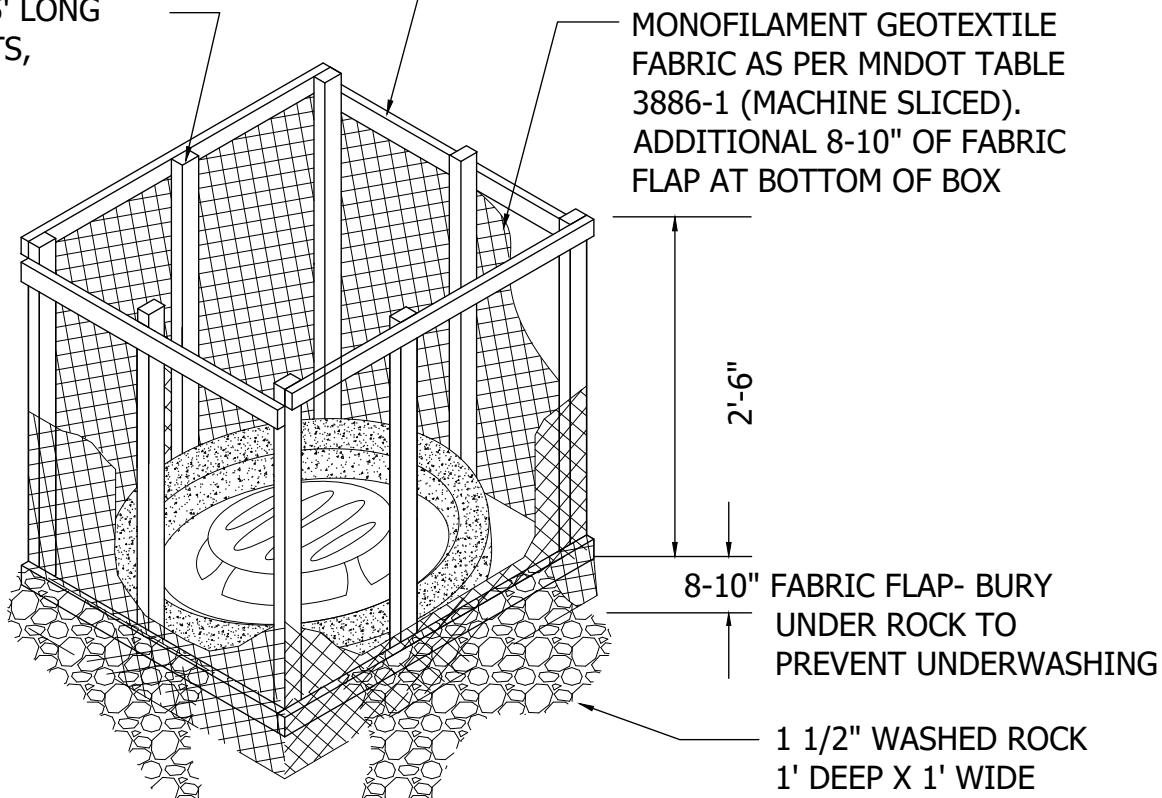


WOODEN LATH SHALL BE NAILED SECURELY TO THE POST MEMBER TO SECURE FILTER FABRIC.

2" X 4" X 2.5' LONG WOOD POSTS, 8 REQ'D.

2" X 4" HORIZONTAL MEMBERS CONTINUOUS AROUND TOP AND BOTTOM. FASTENED TO EACH POST USING 2-20D COMMON NAILS

MONOFILAMENT GEOTEXTILE FABRIC AS PER MNDOT TABLE 3886-1 (MACHINE SLICED). ADDITIONAL 8-10" OF FABRIC FLAP AT BOTTOM OF BOX



8-10" FABRIC FLAP- BURY UNDER ROCK TO PREVENT UNDERWASHING

1 1/2" WASHED ROCK 1' DEEP X 1' WIDE

NOTES:

CONTRACTOR SHALL CONSTRUCT SILT BOX TO FIT AROUND THE INLET STRUCTURE WITH 6" MINIMUM CLEARANCE TO EDGES OF STRUCTURE. SILT BOX TO BE PLACED ON AN EVEN SURFACE 6" BELOW STRUCTURE OPENING. TOP OF SILT BOX TO EXTEND 18" MINIMUM ABOVE EXISTING GRADE.



STANDARD DETAILS
INLET PROTECTION SILT BOX
FOR BEEHIVE CASTING
COTTAGE GROVE, MINNESOTA

JANUARY 2021

PLATE NO.
ERO-10