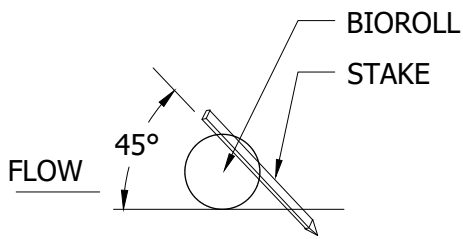
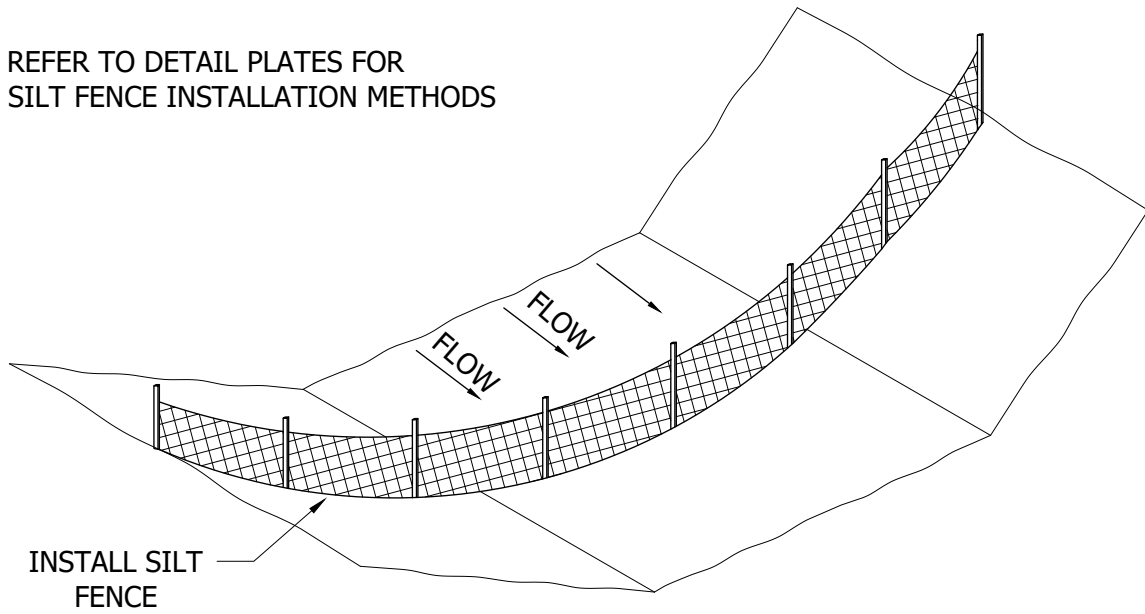
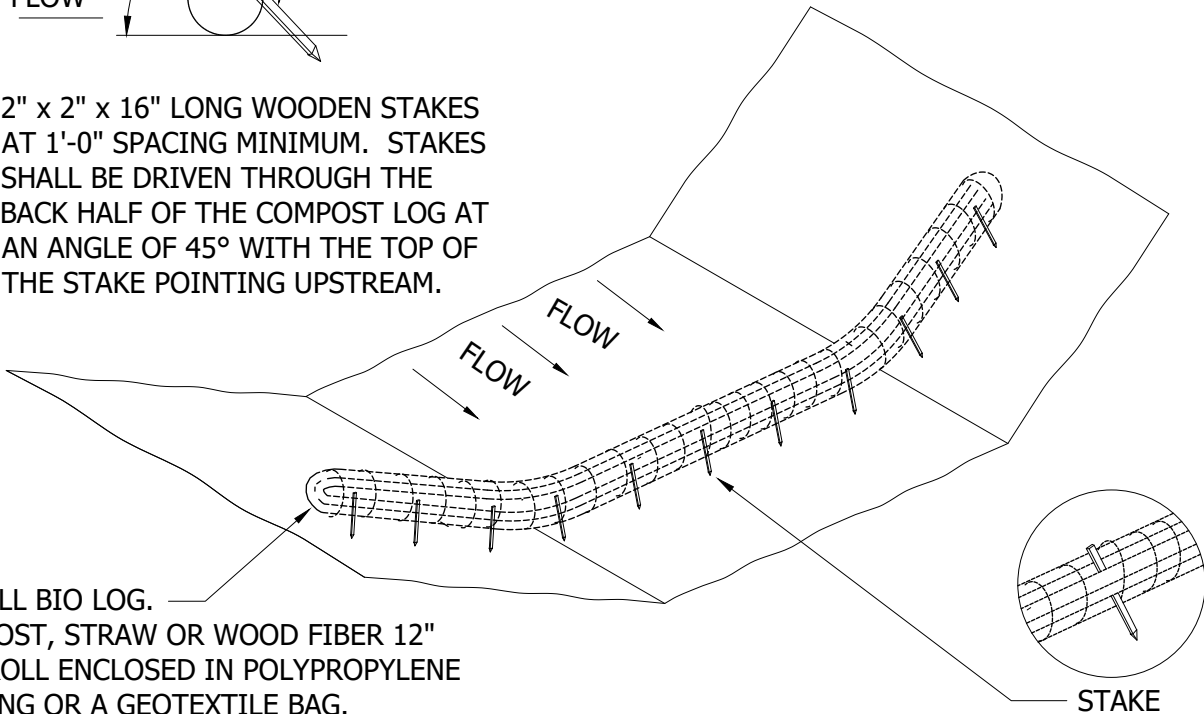


REFER TO DETAIL PLATES FOR  
SILT FENCE INSTALLATION METHODS



2" x 2" x 16" LONG WOODEN STAKES  
AT 1'-0" SPACING MINIMUM. STAKES  
SHALL BE DRIVEN THROUGH THE  
BACK HALF OF THE COMPOST LOG AT  
AN ANGLE OF 45° WITH THE TOP OF  
THE STAKE POINTING UPSTREAM.



INSTALL BIO LOG.  
COMPOST, STRAW OR WOOD FIBER 12"  
DIA. ROLL ENCLOSED IN POLYPROPYLENE  
NETTING OR A GEOTEXTILE BAG.



**STANDARD DETAILS**  
DITCH CHECKS

COTTAGE GROVE, MINNESOTA

JANUARY 2021

PLATE NO.  
ERO-11