

STEEL FENCE POST (T-POST),  
MINIMUM 5' LONG,  
6' MAXIMUM SPACING.

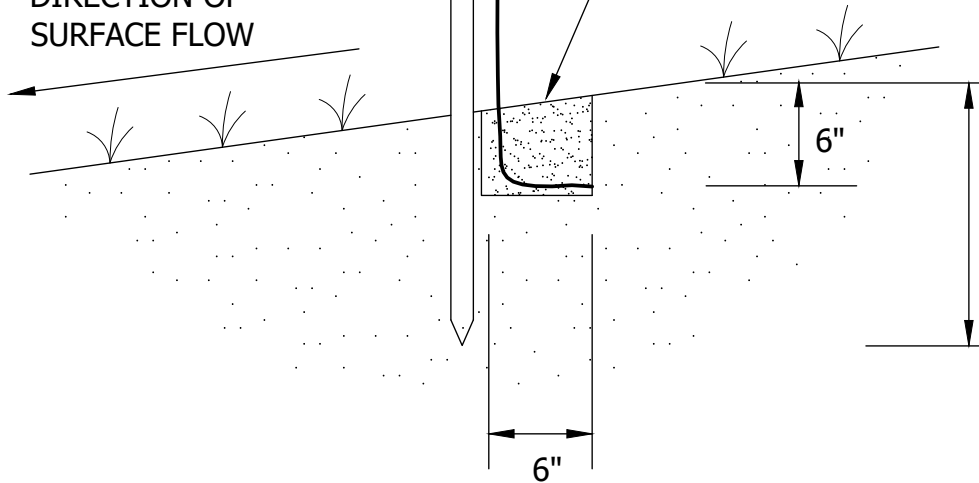
MONOFILAMENT GEOTEXTILE  
FABRIC PER MNDOT TABLE  
3886-1 (HAND INSTALLED).

POST NOTCHES  
TO FACE AWAY  
FROM FABRIC.

ATTACH FABRIC TO POST WITH  
MINIMUM 3 ZIP TIES (50 LB.  
TENSILE) PER POST IN TOP 8"  
OF FABRIC.

LAY FABRIC IN THE TRENCH,  
BACKFILL WITH NATURAL  
SOIL, AND COMPACT WITH  
LIGHT EQUIPMENT PRIOR TO  
PLACEMENT OF THE POSTS.

DIRECTION OF  
SURFACE FLOW



24" MINIMUM POST  
EMBEDMENT

**STANDARD DETAILS**  
HAND INSTALLED SILT FENCE

JANUARY 2021



**COTTAGE GROVE, MINNESOTA**

PLATE NO.  
**ERO-2**